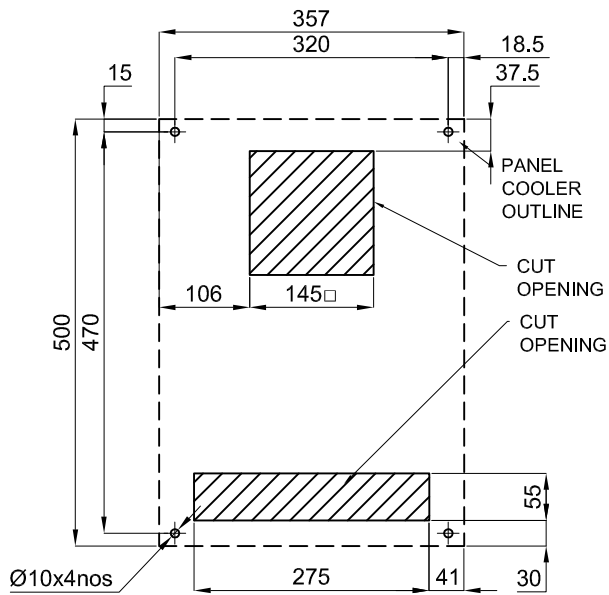
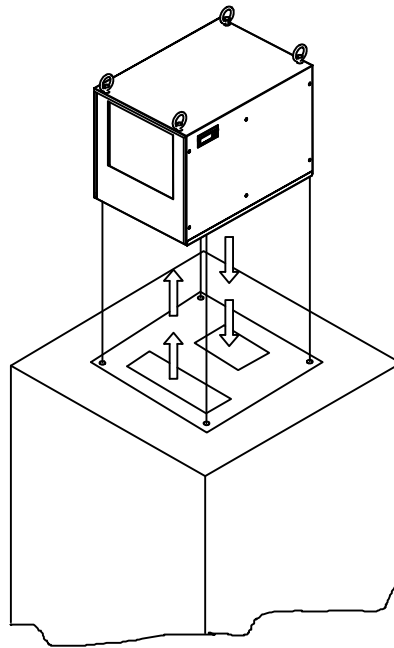


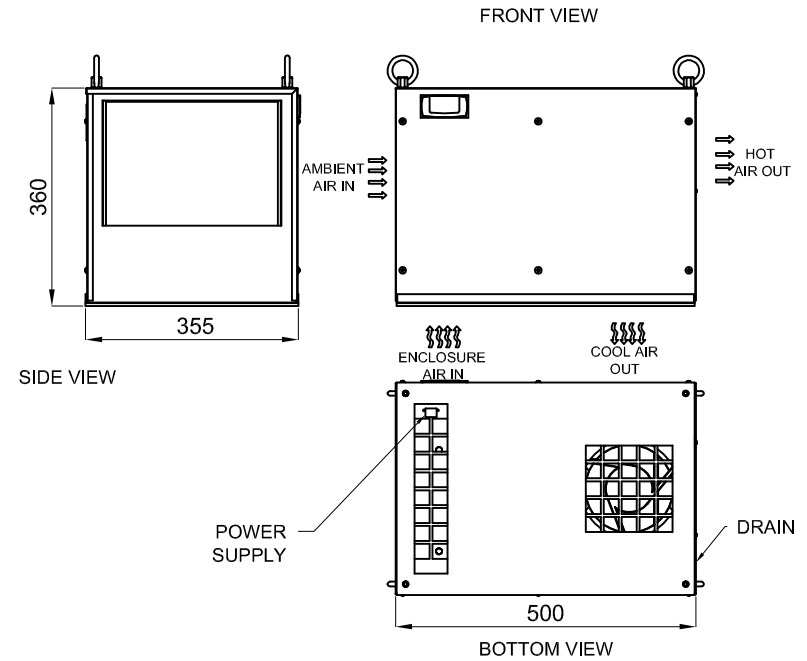
PANEL CUT OPENING



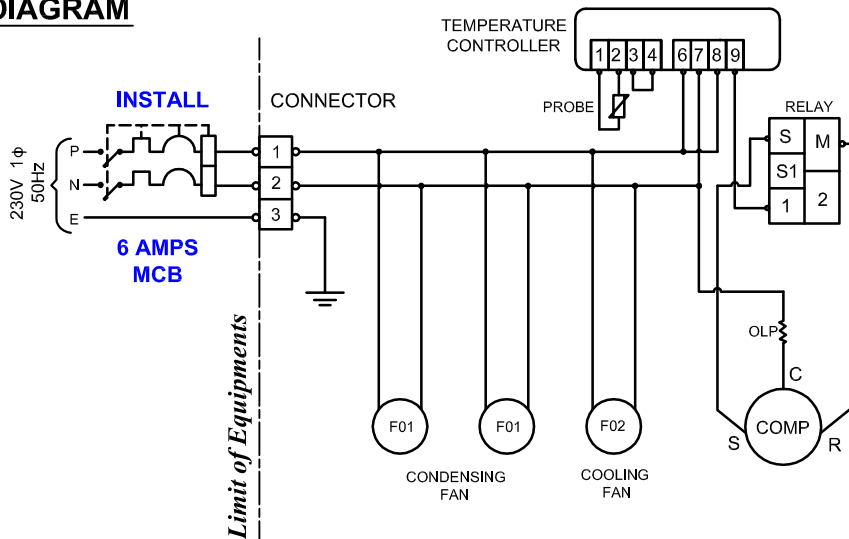
PANEL MOUNTING



GENERAL ASSEMBLY



WIRING DIAGRAM



TECHNICAL SPECIFICATION

MODEL	: PAC 060T 75
CAPACITY	: 600 Kcal/hr
AMBIENT TEMPERATURE	: +20 to 50°C
PERATING VOLTAGE	: 230V, 50Hz, 1φ
RATED CURRENT	: 2.1AMPS
STARTING CURRENT	: 6AMPS
POWER	: 350WATTS
REFRIGERANT	: R134a
MOUNTING	: TOP MOUNTING
COLOR	: GRAY
WEIGHT	: 25Kg