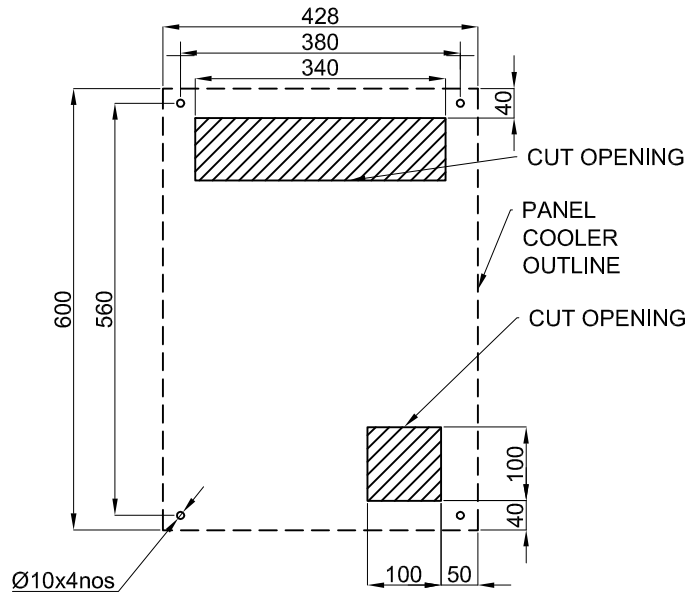
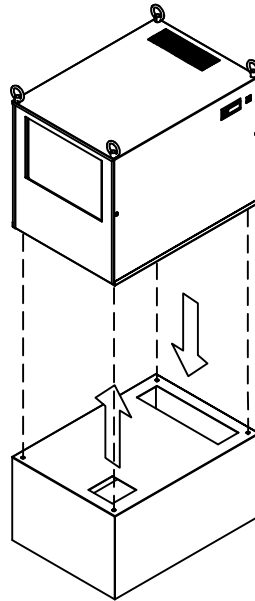


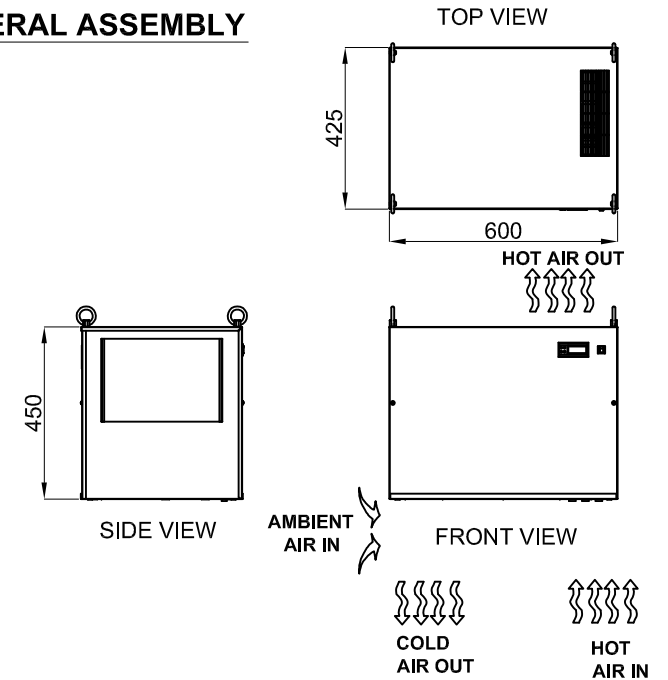
PANEL COOLER CUT OPENING



PANEL COOLER MOUNTING



GENERAL ASSEMBLY



TECHNICAL SPECIFICATION:-

MODEL	: PAC 090T 75
CAPACITY	: 900Kcal/hr(1050W)
AMBIENT TEMPERATURE	: 20-50°C
OPERATING VOLTAGE	: 230V,50Hz,1φ
RATED CURRENT	: 3AMPS
STARTING CURRENT	: 10AMPS
POWER	: 750WATTS
REFRIGERANT	: R134a
MOUNTING	: TOP MOUNTING
COLOR	: GRAY
WEIGHT	: 32KG

WIRING DIAGRAM

