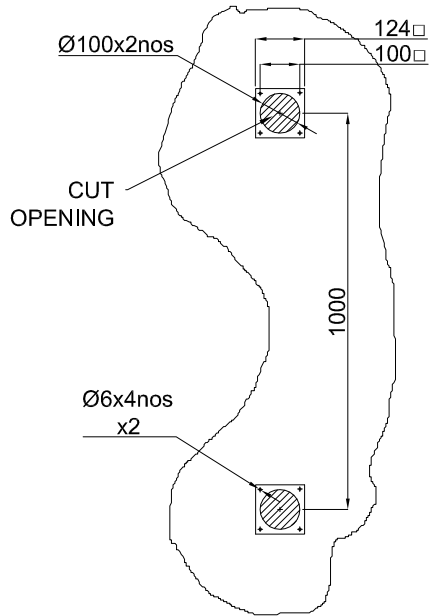
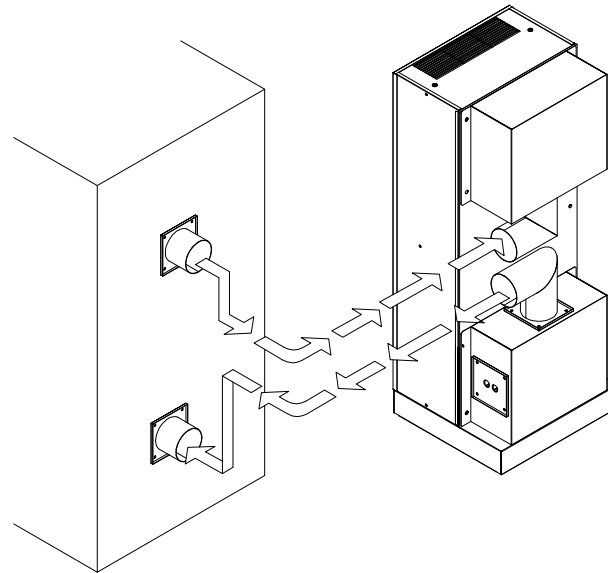


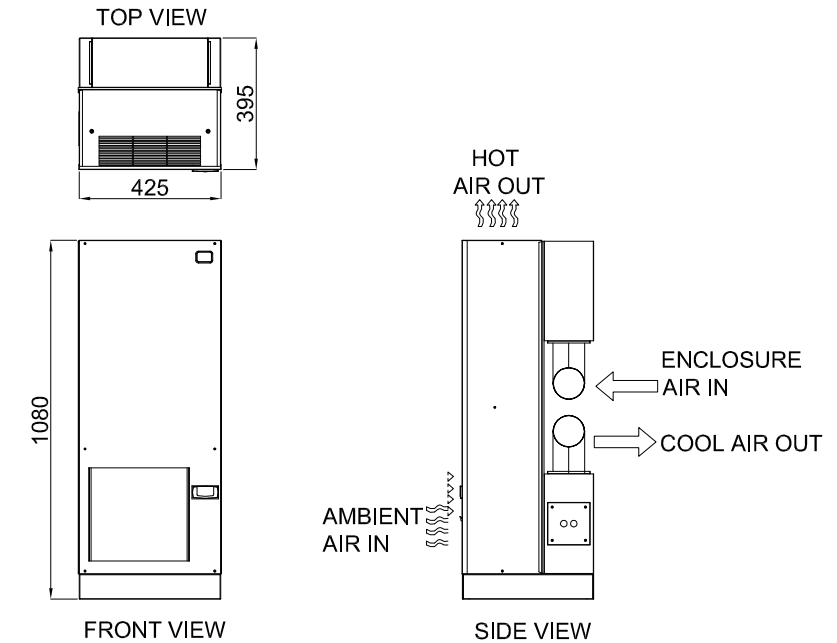
PANEL CUT OPENING



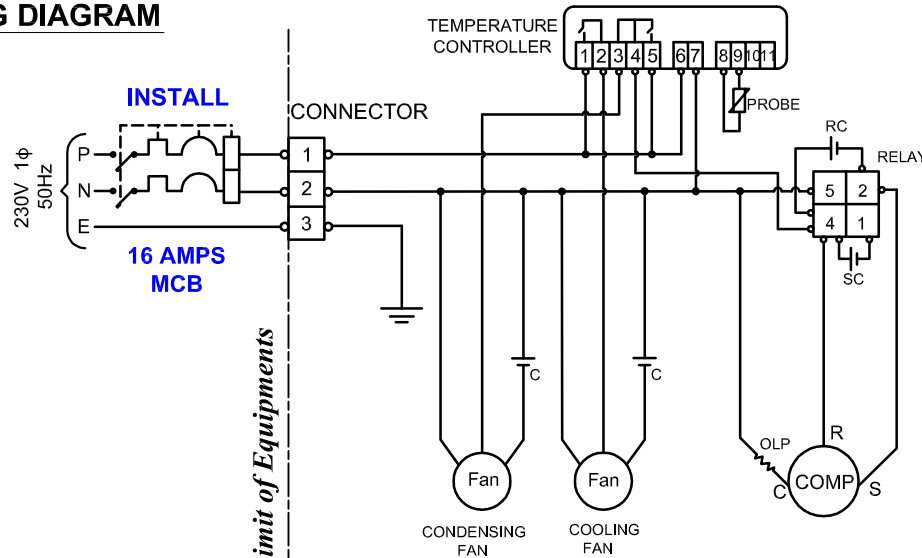
PANEL MOUNTING



GENERAL ASSEMBLY



WIRING DIAGRAM



TECHNICAL SPECIFICATION

MODEL	: PAC 135 D75
CAPACITY	: 1350 Kcal/hr (1570W)
AMBIENT TEMPERATURE	: 20°C to 50°C
OPERATING VOLTAGE	: 1Ø, 230V, 50Hz
RATED CURRENT	: 4 AMPS
STARTING CURRENT	: 12 AMPS 12 AMPS
POWER	: 900 WATTS
REFRIGERANT	: R 134a
MOUNTING	: DUCT MOUNTING
COLOR	: GRAY
WEIGHT	: 48 Kg