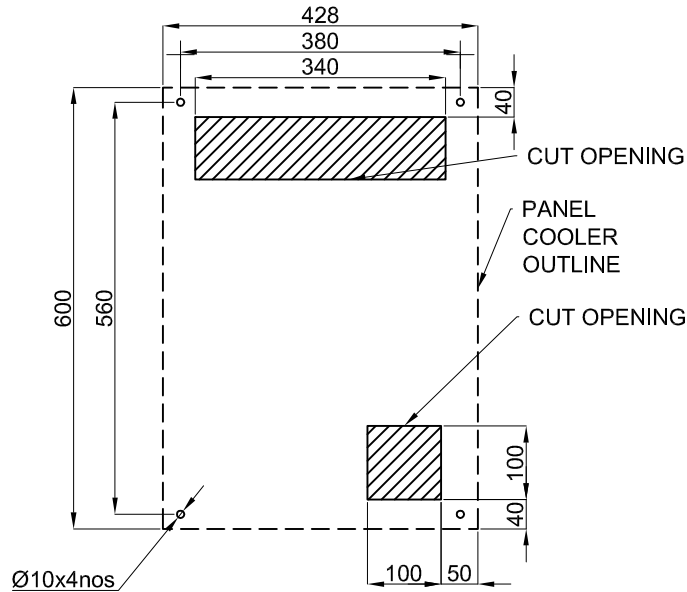
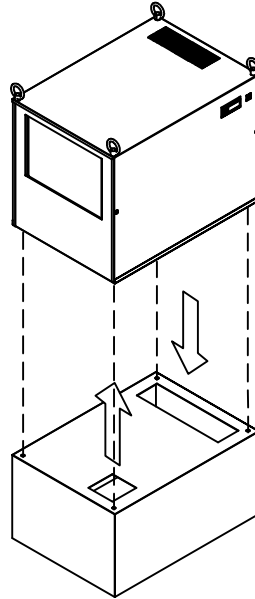


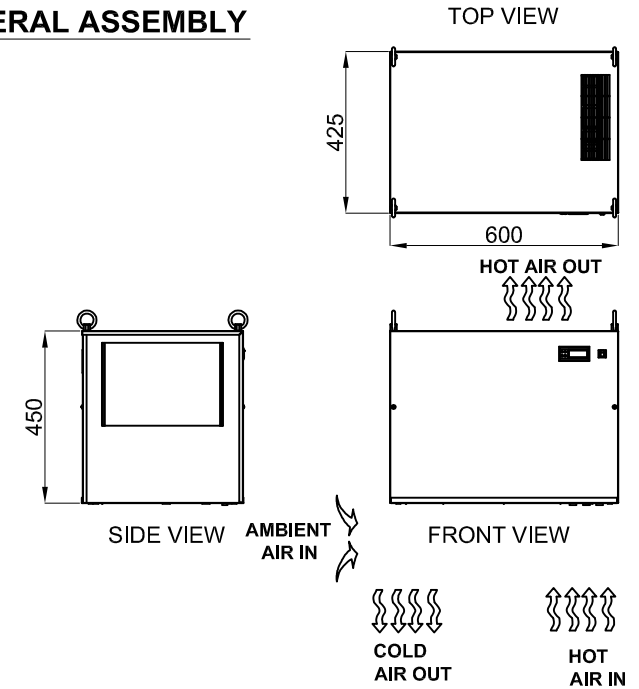
PANEL COOLER CUT OPENING



PANEL COOLER MOUNTING



GENERAL ASSEMBLY



TECHNICAL SPECIFICATION

MODEL	: PAC 135T 75
CAPACITY	: 1350Kcal/hr(1570W)
AMBIENT TEMPERATURE	: 20 - 50°C
OPERATING VOLTAGE	: 230V, 50Hz, 1φ
RATED CURRENT	: 4 AMPS
STARTING CURRENT	: 12 AMPS
POWER	: 900WATTS
REFRIGERANT	: R134a
MOUNTING	: TOP MOUNTING
COLOR	: GRAY
WEIGHT	: 42 Kg

WIRING DIAGRAM

