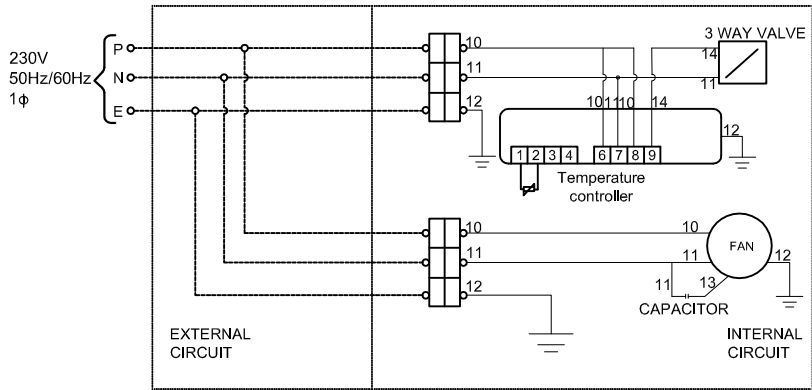
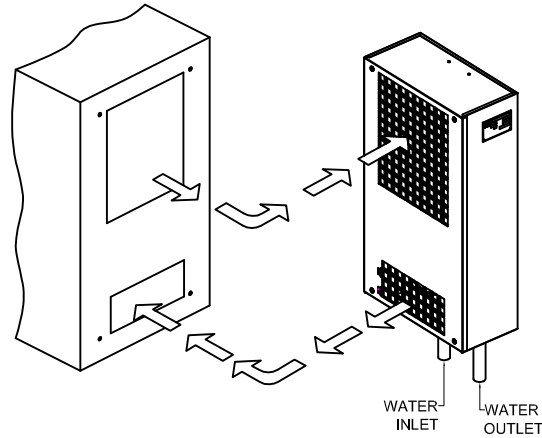


## ELECTRICAL



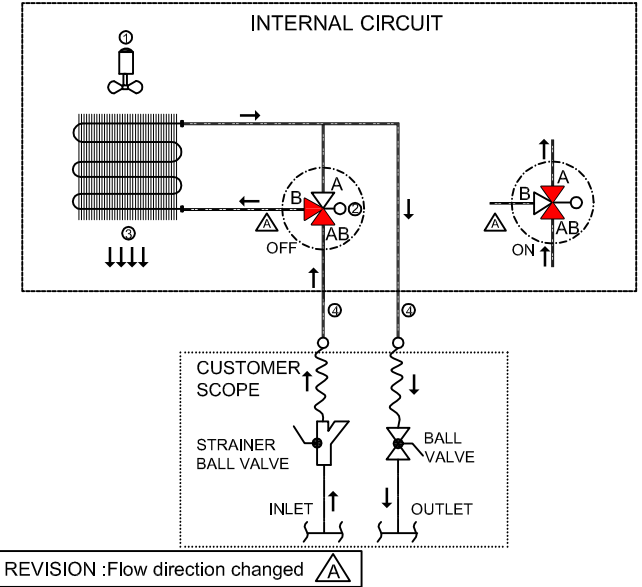
REVISION:Ferrule Number changed

## PANEL MOUNTING



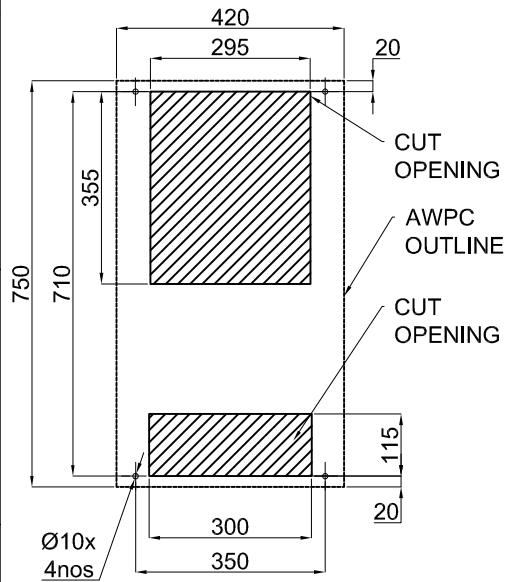
REVISION :MOUNTING DETAIL PROVIDED

## P AND I DIAGRAM

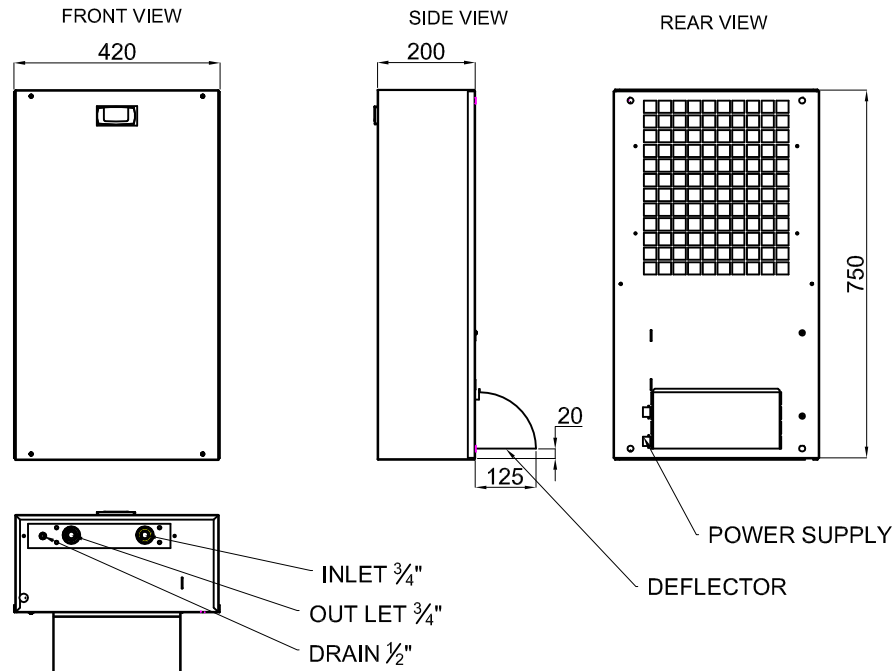


REVISION :Flow direcion changed

## PANEL CUT OPENING



## GENERAL ASSEMBLY



## TECHNICAL SPECIFICATION :

MODEL	:AWC 200 F01
CAPACITY	:2000 Kcal/hr
	:2325 WATTS
WATER FLOW RATE(PH NEUTRAL)	:7 lpm
WATER INLET TEMPERATURE	:7-15°C
AMBIENT TEMPERATURE	:0 - 60°C
OPERATING VOLTAGE	:230V, 50Hz/60Hz, 1φ
POWER	:100W
THERMOSTAT CONTROL	:TEMPERATURE CONTROLLER
SET TEMPERATURE	:30±2°C
AIR FLOW RATE	:450CFM
MOUNTING	:FACE MOUNTING
COLOR	:GREY
WEIGHT	:20Kg