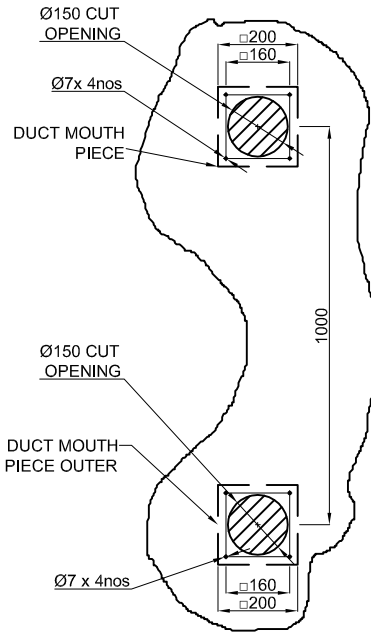
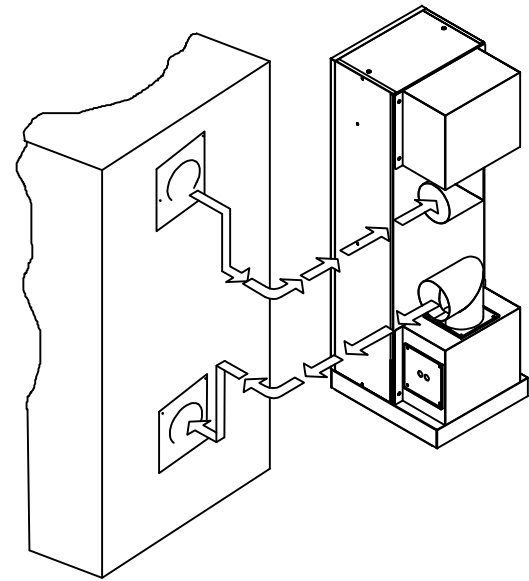


PANEL CUT OPENING

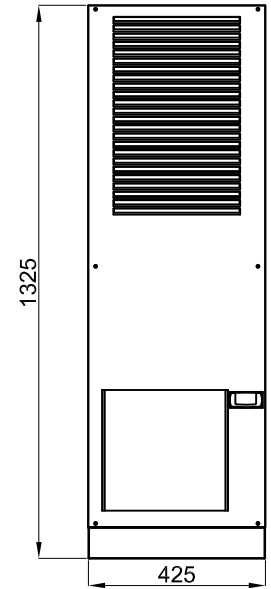


PANEL DUCT MOUNTING

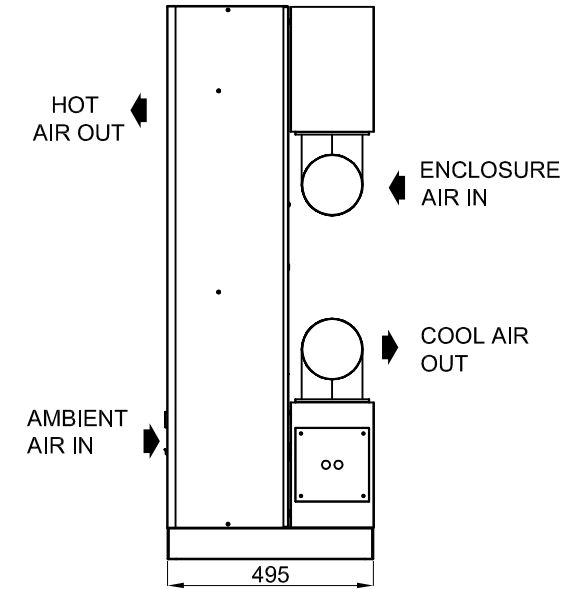


GENERAL ASSEMBLY

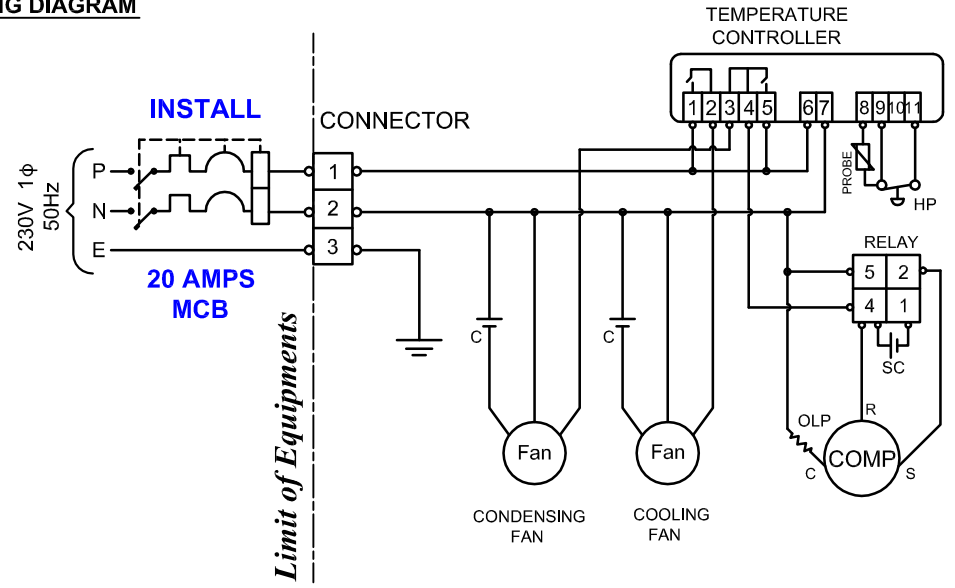
FRONT VIEW



SIDE VIEW



WIRING DIAGRAM



TECHNICAL SPECIFICATION

MODEL	: PAC200D 75
CAPACITY	: 2000 Kcal/hr
AMBIENT TEMPERATURE	: 20°C to 50°C
OPERATING VOLTAGE	: 230v, 50Hz, 1Ø
RATED CURRENT	: 6 AMPS
STARTING CURRENT	: 15 AMPS
POWER	: 1400 WATTS
REFRIGERANT	: R134a
MOUNTING	: DUCT MOUNTING
COLOR	: GRAY
WEIGHT	: 74Kg
DUCT SIZE	: 6"