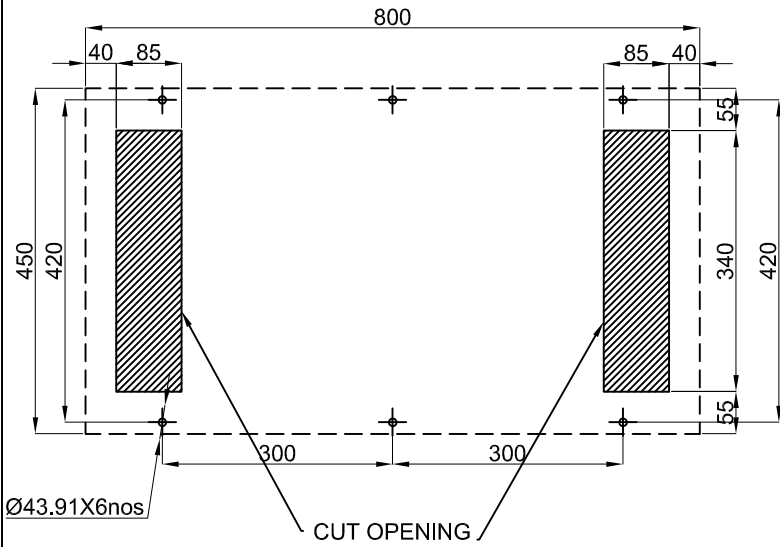
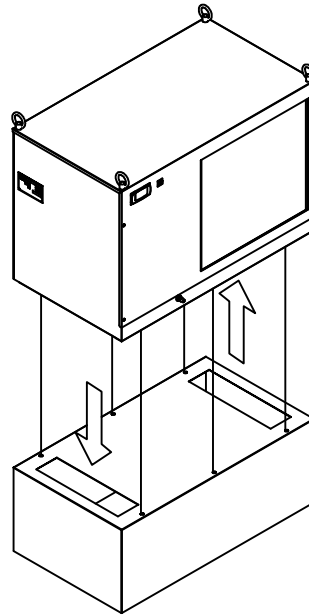


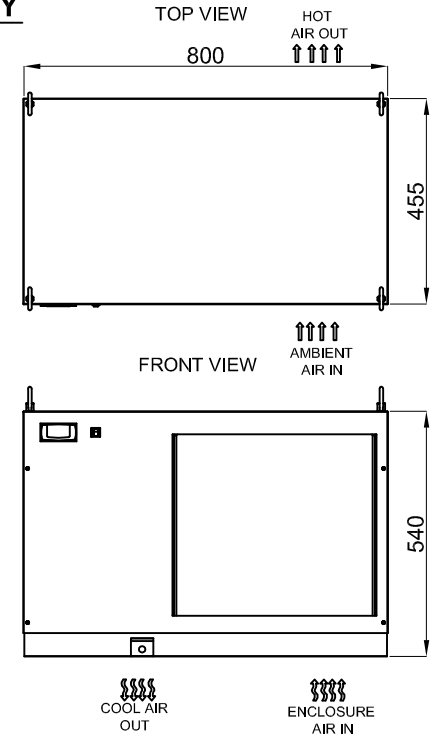
PANEL CUT OPENING



PANEL MOUNTING



GENERAL ASSEMBLY



TECHNICAL SPECIFICATION

MODEL	: PAC 200T 75
CAPACITY	: 2000 Kcal/hr (2320 w)
AMBIENT TEMPERATURE	: +20°C to 50°C
OPERATING VOLTAGE	: 230V, 50Hz, 1 ϕ
RATED CURRENT	: 6.9 Amps
STARTING CURRENT	: 15 Amps
POWER	: 1400 watts
REFRIGERANT	: R134a
MOUNTING	: Top mounting
COLOR	: Gray
WEIGHT	: 70kg

WIRING DIAGRAM

