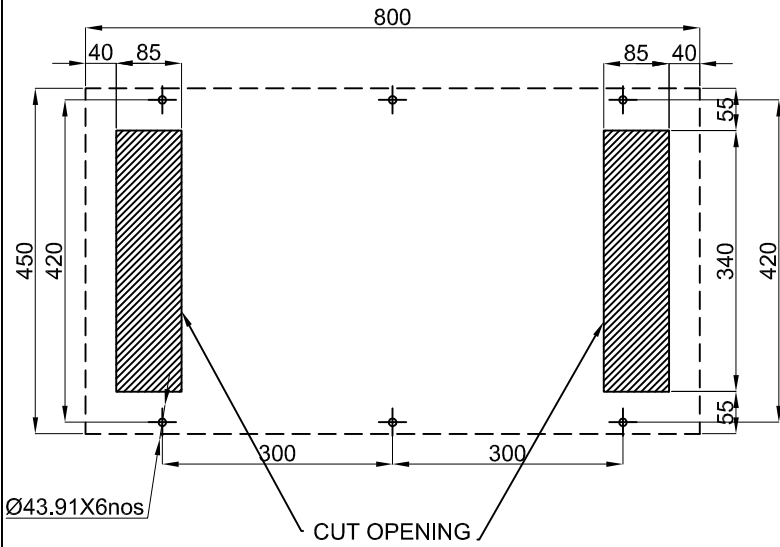
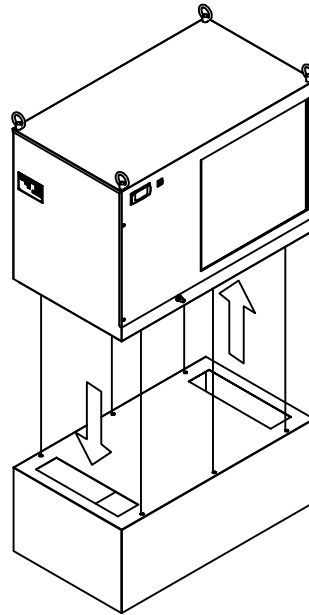


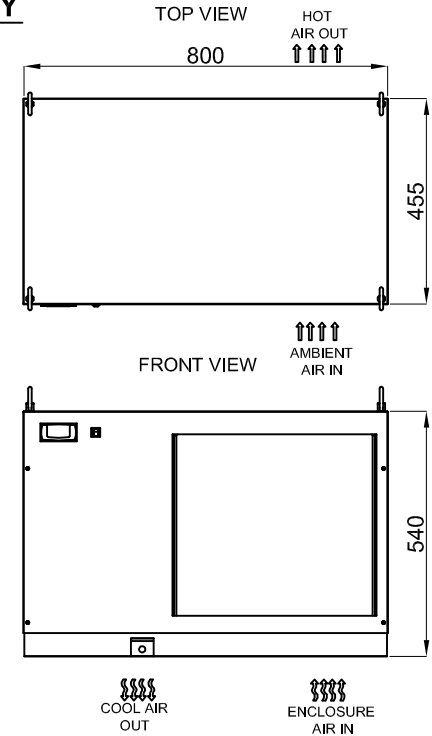
### PANEL CUT OPENING



### PANEL MOUNTING



### GENERAL ASSEMBLY



### TECHNICAL SPECIFICATION

MODEL	: <b>PAC300T 00</b>
CAPACITY	: 3000 Kcal/hr (3450w)
AMBIENT TEMPERATURE	: +20°C to 50°C
OPERATING VOLTAGE	: 230v, 50Hz, 1 $\phi$
RATED CURRENT	: 9.5 Amps
STARTING CURRENT	: 21 Amps
POWER	: 1750 watts
REFRIGERANT	: R22
MOUNTING	: Top mounting
COLOR	: Gray
WEIGHT	: 76kg

### WIRING DIAGRAM

