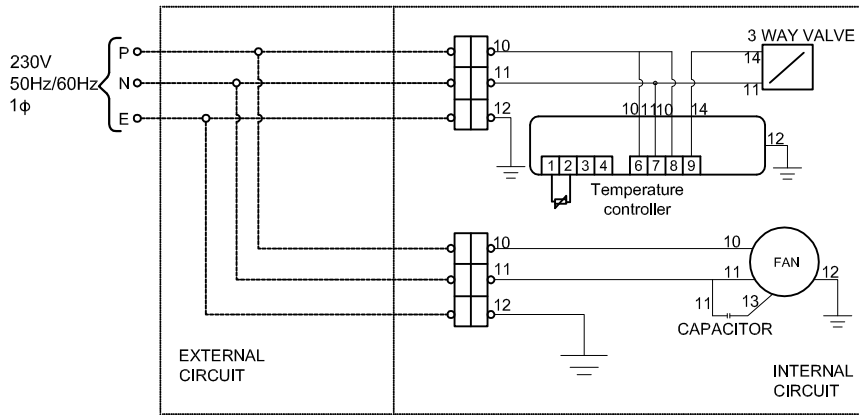
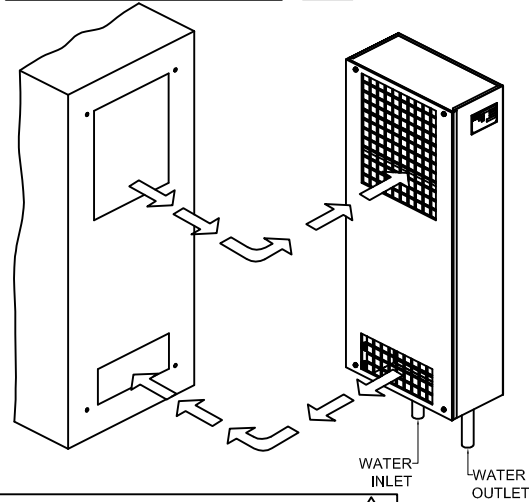


ELECTRICAL



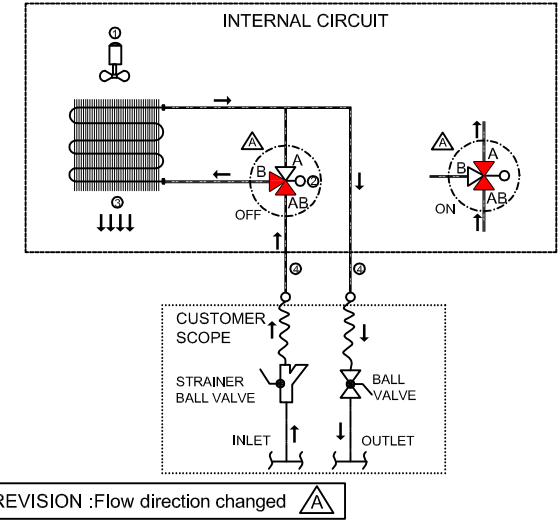
REVISION: Ferrule Number changed

PANEL MOUNTING B



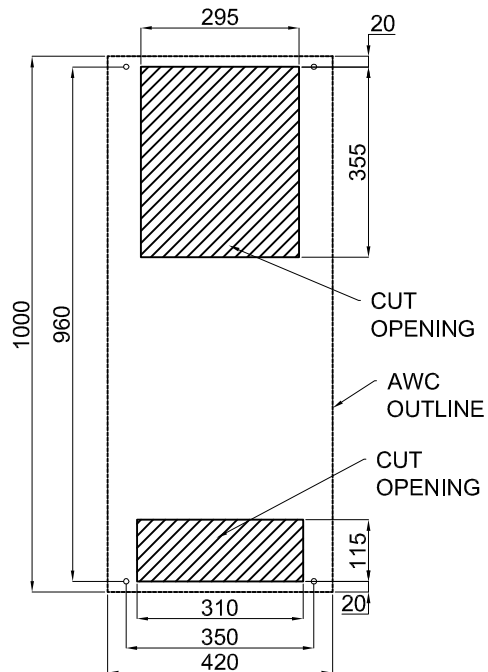
REVISION :MOUNTING DETAIL PROVIDED B

P AND I DIAGRAM

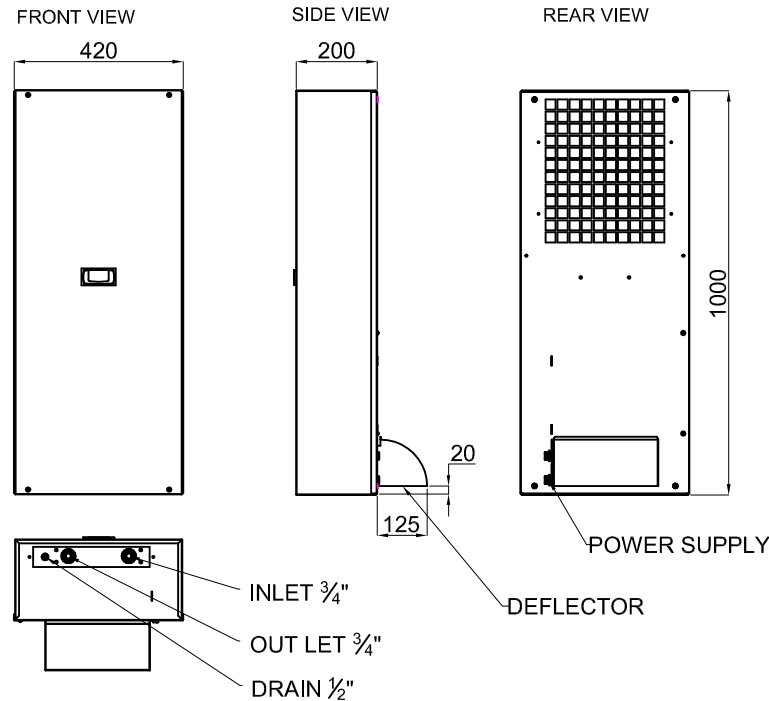


REVISION :Flow direction changed A

PANEL CUT OPENING



GENERAL ASSEMBLY



TECHNICAL SPECIFICATION

REVISION :POWER - 240W CHANGED A

MODEL	:AWC 450 F01
CAPACITY	:4500 Kcal/hr
	:5250 WATTS
WATER FLOW RATE(PH NEUTRAL)	:15 lpm
WATER INLET TEMPERATURE	:7-15°C
AMBIENT TEMPERATURE	:0 - 60°C
OPERATING VOLTAGE	:230V, 50Hz/60Hz, 1φ
POWER	:240W
THERMOSTAT	:TEMPERATURE CONTROLLER
CONTROL	:3 WAY BY PASS VALVE
SET TEMPERATURE	:30±2°C
AIR FLOW RATE	:700CFM
MOUNTING	:FACE MOUNTING
COLOR	:GREY
WEIGHT	:30Kg