

PANEL AIR CONDITIONER

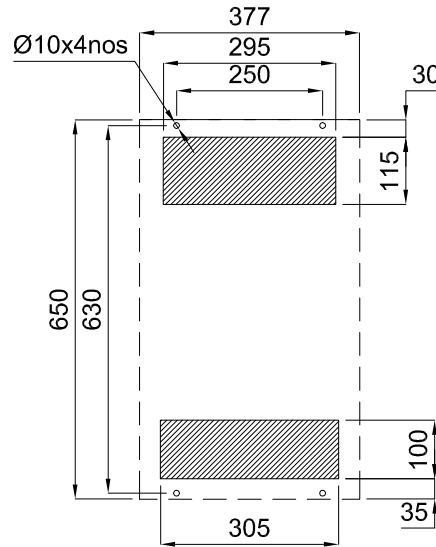
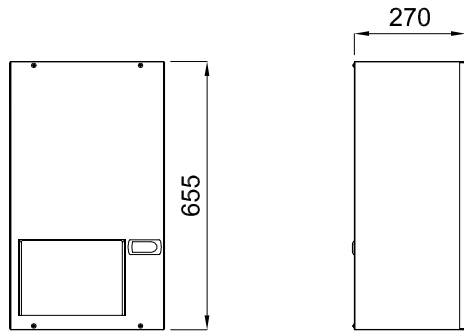
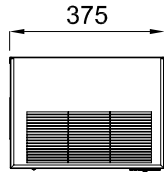
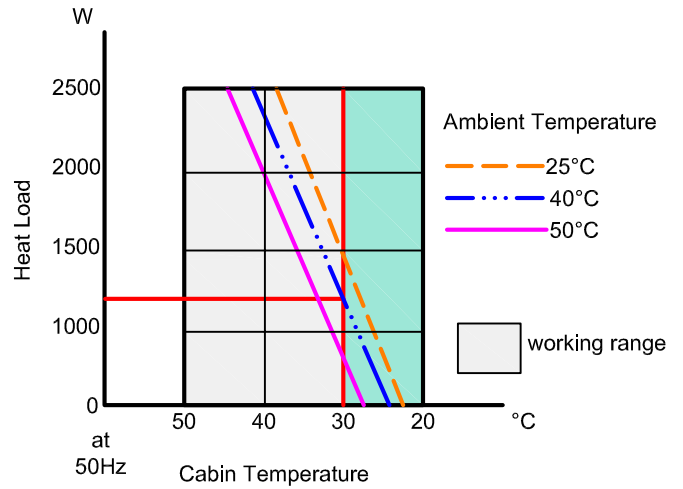


PAC 090 F75



Performance

Range test



General Features

| S.No | DESCRIPTION | M.U | SPECIFICATION |
|------|--|---------|----------------|
| 1 | Model | - | PAC 090F 75 |
| 2 | Cooling capacity L30 L40 | kcal/hr | 900 |
| | | W | 1050 |
| 3 | Ambient Temperature | °C | 20-50 |
| 4 | Refrigerant | - | R134a |
| 5 | Operating voltage Phase/Voltage/Frequency | Ph/V/Hz | 1/230/50 |
| 6 | Rated Current | A | 3 |
| 7 | Starting Current | A | 10 |
| 8 | Power absorbed | W | 750 |
| 9 | Air Flow Rate, free air | CFM | 150 |
| 10 | Dimension Height x Width x Depth | H mm | 655 |
| | | W mm | 375 |
| | | D mm | 270 |
| 11 | Mounting | - | Face Mounting |
| 12 | Weight | kg | 35 |
| 13 | Color | - | Gray |
| 14 | Cabinet protection degree | IP | 54 |
| 15 | Approvals | CE | OSE-14-0203/01 |

- **Structure**
Enclosure made of CRCA steel sheet ensure high stability.
- **Coating**
Electrophoretic dipcoat priming and powder coating textured RAL7035.
- **Compressor**
Energy efficient, environment friendly Hermetically sealed compressor.
- **Fan**
Centrifugal backward curved fan of Inbuilt motor with thermal protection.
- **Coil**
Copper tube with pre-coated hydrophilic aluminum fin material.
- **Filter**
Woven fabric of mesh size 611x470 to prevent dust.
- **Control**
The unit is controlled & managed by microprocessor based controller with LED display
- **CE**
Machinery Directive/LVD Directive 2006/42/EEC
Low Voltage Directive 2006/95/EC
Pressure Equipment Directive 97/23/EC
Electromagnetic Compatibility 2004/108/EC